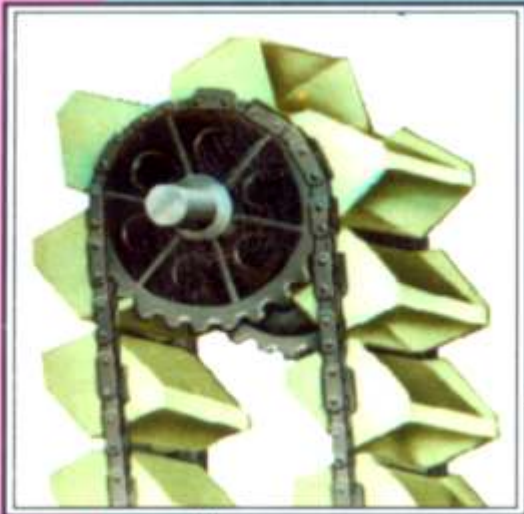
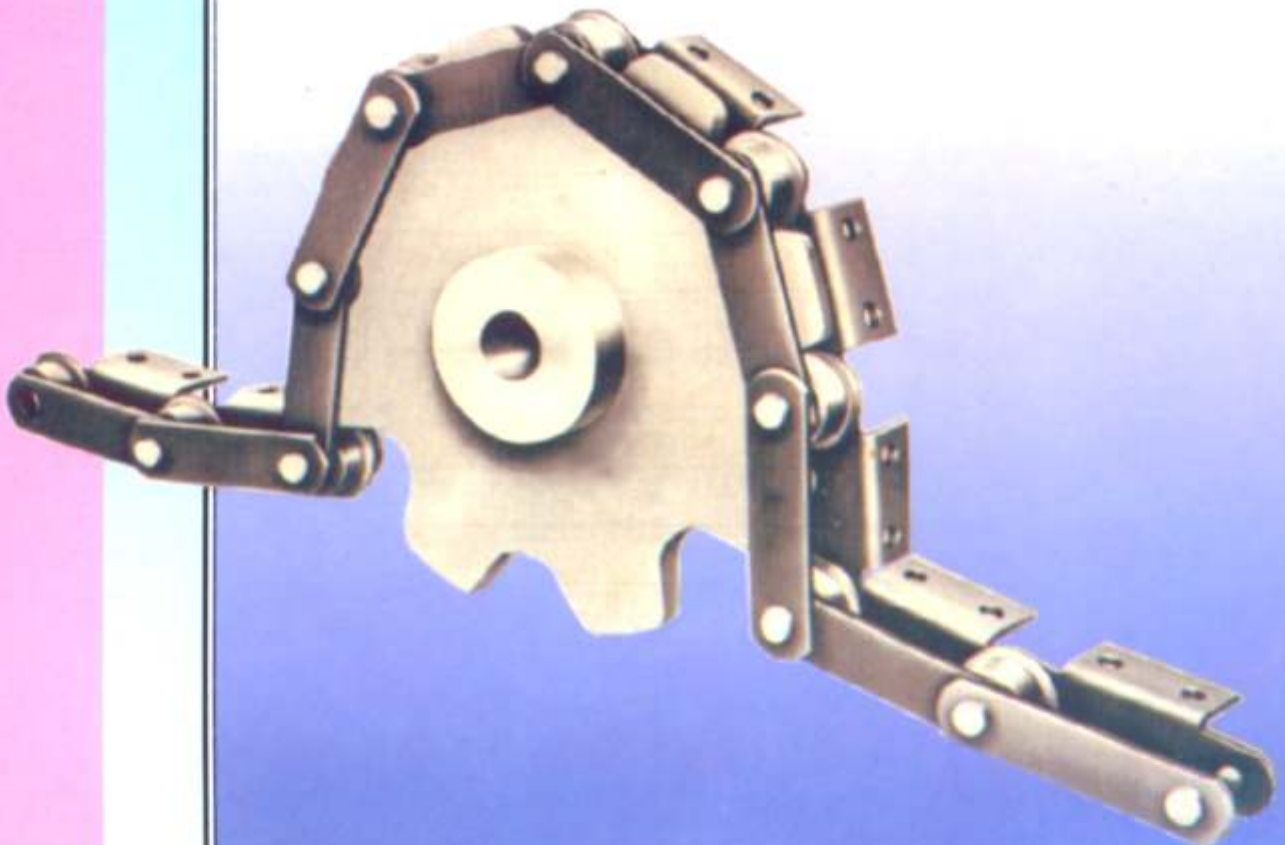


# ***SPEEDO DRIVE INDUSTRIES***

- **BEST QUALITY** ▪ **EXCELLENT SERVICE** ▪
- **ULTIMATE SATISFACTION** ▪



## ***Conveyor Chains***



## Attachments on Standard Chains & Conveyor Chains

M, attachment on one side



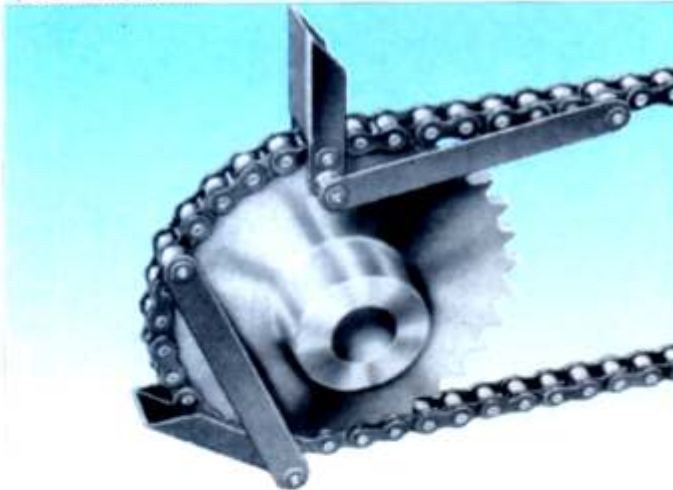
M, attachment on both side



Bracket attachment



Special attachment



Extend Pin attachment, Arrow attachment



K, attachment



K, attachment both sides



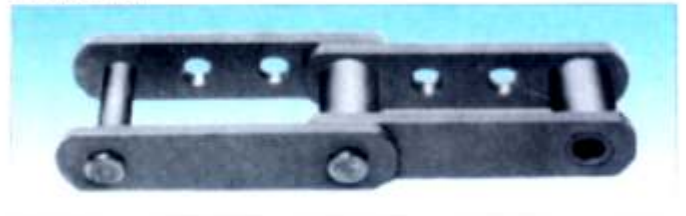
M, attachments both sides



M, attachment one side



G, attachment



G, attachment



# Special Chain

Slat Chain



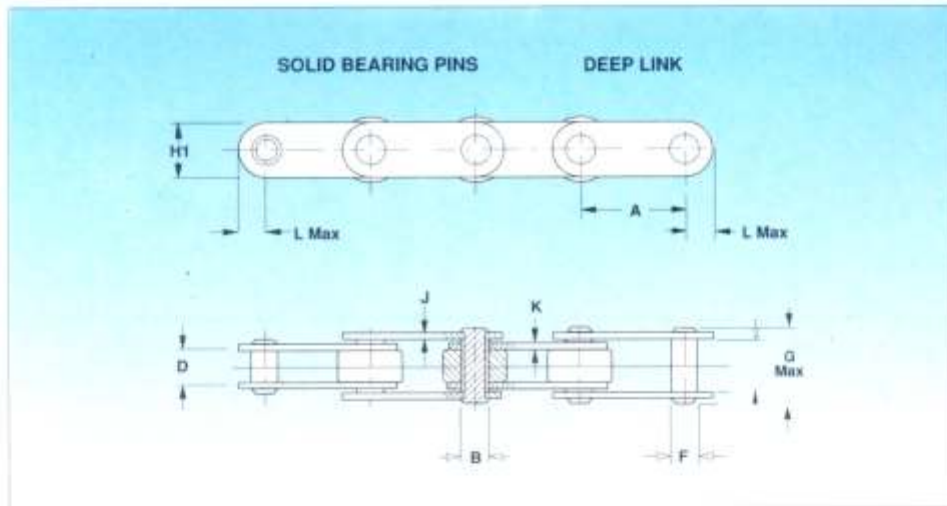
Conveyor chain with plastic Rollers.



Hollow Pin Chain



G<sub>2</sub> attachment



Solid bearing pin chains

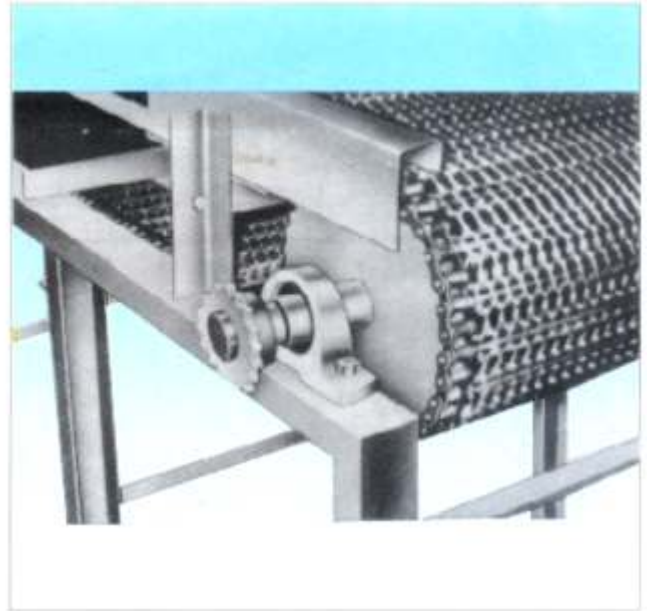
Breaking Load	Chain No.	Pitch	Roller Diameter
lb		Inch	Inch
3000	140 048/12	1.50	.475
	140 088/12	2.00	.475
	140 128/12	3.00	.475
	140 128/56	3.00	1.00
	140 163/56	4.00	1.00
7,500	145 080/16	2.00	1.25
	145 120/16	3.00	1.25
	145 160/16	4.00	1.25
	145 200/16	5.00	1.25
	145 240/16	6.00	1.25
15,000	145 121/11	3.00	1.875
	145 161/11	4.00	1.875
	145 241/11	6.00	1.875
30,000	145 162/13	4.00	2.625
	145 242/13	6.00	2.625

Hollow bearing pin chains

Breaking Load	Chain No.	Pitch	Roller Diameter
lb.		Inch	Inch
6000	105 080/16	2.00	1.25
	105 120/16	3.00	1.25
	105 160/16	4.00	1.25
	105 200/16	5.00	1.25
	105 240/16	6.00	1.25
12,000	105 121/11	3.00	1.875
	105 161/11	4.00	1.875
	105 241/11	6.00	1.875
24,000	105 162/13	4.00	2.625
	105 242/13	6.00	2.625



Slat Conveyor



Steel Belt Conveyor



Special Conveyor Chain

**SPECIFICATION REQUIRED FOR CONVEYOR CHAINS**

1. CHAIN NO.....
2. PITCH.....ROLLER DIA.....
4. TYPE a) HOLLOW PIN..... b) SOLID PIN.....
5. BREAKING LOAD REQUIRED.....LBS/FT.....
6. DRIVE USED a) SPROCKET NO.....  
b) DRIVE WHEEL NO.....
7. QUANTITY REQUIRED .....
8. a) DRAWING NO.....DATE.....  
b) SAMPLE NO .....
- c) ON WHICH M/C USED.....
9. ANY SPECIAL DETAILS OR ANY SPECIAL ATTACHMENTS ON CHAIN

***SPEEDO DRIVE INDUSTRIES***

2, Amrapali, 90 Feet Road, Mulund (East), Mumbai - 400 081.  
 Tel. : 2163 23 81 / 2163 53 69 / 5626 79 60 • Fax : 022-216366 03  
 Email : speedodrive@rediffmail.com • Website: www.speedodrive.com



AUTHORISED DEALERS FOR **ROLON** INDUSTRIAL CHAINS